

SONAROL



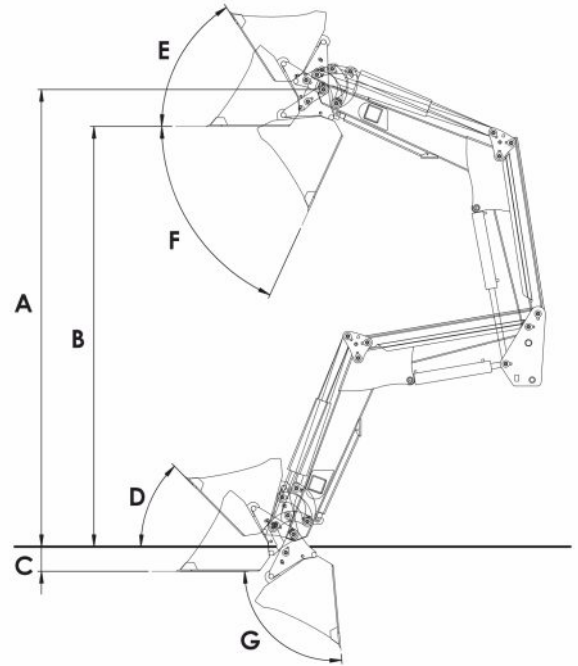
**PRODUCT
CATALOG**

February 2021

FRONT END LOADER

LC 300/400/500/600

FRONT END LOADERS

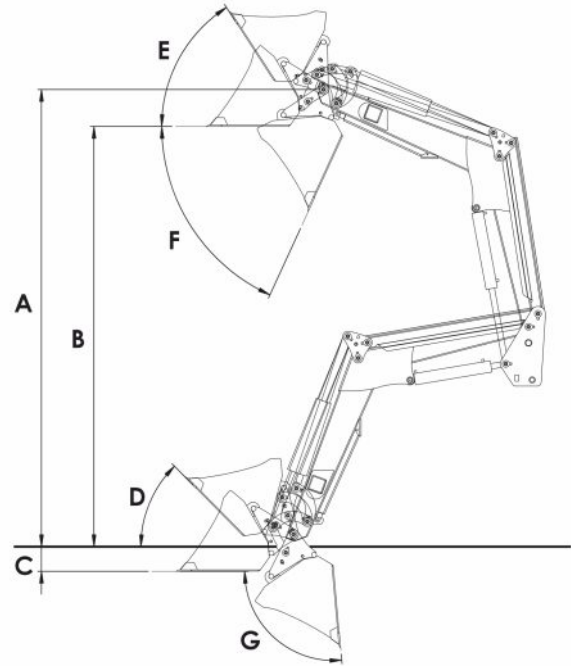


	Units	LC SNR 300	LC SNR 300L	LC SNR 400	LC SNR 400L	LC SNR 500	LC SNR 500L	LC SNR 600
Nominal Lifting capacity on the axis capacity	kg	1600		1800		1800		1800
Hydraulic cylinders	mm	70/80		80/80		90/80		90/80
Lifting height (A)	mm	3500		3700		4000		4250
Loading height (B)	mm	3200		3400		3700		3950
Digging depth	mm	50-200		50-200		50-200		50-200
Bucket closing angle at a lower position (D)	°	45		45		45		45
Bucket closing angle at upper position (E)	°	57		57		57		57
Bucket tilting angle at an upper position (F)	°	65		65		65		65
Bucket tilting angle at a lower position (G)	°	95		95		95		95
Device weight	kg	520		560		625		700
Shock absorber switch on/off in the joystick		standard	not available	standard	not available	standard	not available	standard
Price¹	€							

¹ Front loader supporting structure in the price according to the official manufacturer's "list of supporting structures".
 "EURO" semi-automatic tool mounting frame as standard, other extra payment acc. the official price list of spare parts.
 Non-standard color dedicated to the tractor brand, surcharge.
 Flat manifold hydraulic quick coupler surcharge.
 Tool box "EURO" closed hydraulically.
 Scanning of the tractor in the factory to design and manufacture a new supporting structure with assembly included in the price.
 Proportional control - individual pricing depends on the type of tractor.
 Piston shock absorber - as standard.

FRONT END LOADER

LC 10/15/20/100/200



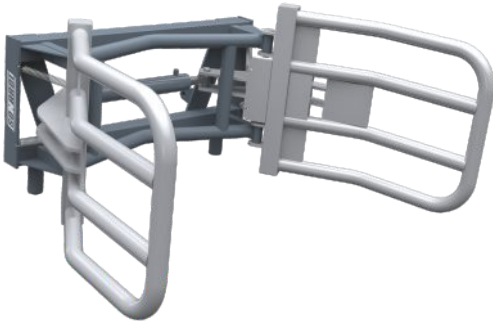
FRONT END LOADERS

	Units	LC SNR 10	LC SNR 15	LC SNR 20	LC SNR 20L	LC SNR 100	LC SNR 100L	LC SNR 200	LC SNR 200L
Nominal Lifting capacity on the axis capacity	kg	450	450	650		800		1200	
Hydraulic cylinders	mm	50/50	50/50	50/50		63/50		63/63	
Lifting height (A)	mm	1850	2000	2800		3100		3400	
Loading height (B)	mm	1650	1800	2500		2800		3100	
Digging depth	mm	50-100	50-100	100-150		100-200		100-200	
Bucket closing angle at a lower position (D)	°	48	48	46		46		46	
Bucket closing angle at upper position (E)	°	55	55	58		58		58	
Bucket tilting angle at an upper position (F)	°	58	58	61		61		61	
Bucket tilting angle at a lower position (G)	°	58	58	60		60		75	
Device weight	kg	180	190	270		330		370	
Shock absorber switch on/off in the joystick		not available	not available	standard	not available	standard	not available	standard	not available
Price¹	€								

¹ Front loader supporting structure in the price according to the official manufacturer's "list of supporting structures".
 "EURO" semi-automatic tool mounting frame as standard, other extra payment acc. the official price list of spare parts.
 Non-standard color dedicated to the tractor brand, surcharge.
 Flat manifold hydraulic quick coupler surcharge.
 Tool box "EURO" closed hydraulically.
 Scanning of the tractor in the factory to design and manufacture a new supporting structure with assembly included in the price.
 Proportional control - individual pricing depends on the type of tractor.

BALE CLAMP

CBE



	Units	CBE SNR1500
Width	mm	1550
Load Capacity	kg	700
Device weight	kg	180
Price ¹	€	

¹ Type of mount "EURO", "SMS", "MX" for front end loader included in the price, if the technical conditions of the device allow.
Special mounting (not from the manufacturer's official fixing table).
Mini charger surcharge, depending on the technical conditions (e.g. mounting width, height).
Telescopic loaders surcharge, depending on the technical conditions (e.g. mounting width, height).
Hydraulic lock required for wheeled and telescopic loaders without supporting the third hydraulic section - additional payment.
Pressure limiter additional payment necessary for attachments other than those used in front loaders.

BALE CLAMP

CB



	Units	CB SNR1700
Width	mm	1700
Load Capacity	kg	900
Device weight	kg	215
Price ¹	€	

¹ Type of mount "EURO", "SMS", "MX" for front end loader included in the price, if the technical conditions of the device allow.
Special mounting (not from the manufacturer's official fixing table).
Mini charger surcharge, depending on the technical conditions (e.g. mounting width, height).
Telescopic loaders surcharge, depending on the technical conditions (e.g. mounting width, height).
Hydraulic lock required for wheeled and telescopic loaders without supporting the third hydraulic section - additional payment.
Pressure limiter additional payment necessary for attachments other than those used in front loaders.

GRAPPLE FOR STRAW CUBES

CBP



	Units	CBP SNR 2300
Max. Width	mm	2300
Load Capacity	kg	900
Device weight	kg	270
Price ¹	€	

¹ Type of mount "EURO", "SMS", "MX" for front end loader included in the price, if the technical conditions of the device allow.
Special mounting (not from the manufacturer's official fixing table).
Mini charger surcharge, depending on the technical conditions (e.g. mounting width, height).
Telescopic loaders surcharge, depending on the technical conditions (e.g. mounting width, height).
Hydraulic lock required for wheeled and telescopic loaders without supporting the third hydraulic section - additional payment.
Pressure limiter additional payment necessary for attachments other than those used in front loaders.

WOOD LOGS GRAB

CD



	Units	CD SNR1200
Width	mm	1200
Open Height	mm	870
Load Capacity	kg	1300
Device weight	kg	300
Price ¹	€	

¹ Type of mount "EURO", "SMS", "MX" for front end loader included in the price, if the technical conditions of the device allow.
Special mounting (not from the manufacturer's official fixing table).
Mini charger surcharge, depending on the technical conditions (e.g. mounting width, height).
Telescopic loaders surcharge, depending on the technical conditions (e.g. mounting width, height).
Hydraulic lock required for wheeled and telescopic loaders without supporting the third hydraulic section - additional payment.
Pressure limiter additional payment necessary for attachments other than those used in front loaders.

NOVELTY MULTIFUNCTIONAL BALE GRAPPLE CWB



TETH FRAME

	Units	CWB SNR
Width	mm	1500
Load Capacity	kg	1200
Device weight	kg	280
Set price ¹	€	
Set without the teth frame price	€	
The teth frame price	€	

¹ Type of mount "EURO", "SMS", "MX" for front end loader included in the price, if the technical conditions of the device allow.
 Special mounting (not from the manufacturer's official fixing table).
 Mini charger surcharge, depending on the technical conditions (e.g. mounting width, height).
 Telescopic loaders surcharge, depending on the technical conditions (e.g. mounting width, height).
 Hydraulic lock required for wheeled and telescopic loaders without supporting the third hydraulic section - additional payment.
 Pressure limiter - Standard.

BALE CLAMP COMBI CBC

	Units	CBC SNR 2000 UKŁAD A	CBC SNR 2000 UKŁAD B
Height	mm	1796	1715
Folded width	mm	1221	1170
Spreading width	mm	1746	1652(2795) ¹
Compound depth	mm	531 (1280) ²	1350
Decomposed depth	mm	765	1300
Device weight	kg	327	323
Price A	Price B	€	
Set price ⁴		€	
Arms with teth "A"		€	
Arms to foil "B"		€	

¹ Scheme A

² Scheme B

³ Set weight 450 kg.

⁴ Set contains "Scheme A" and "Scheme B"
 Mounting "CYBANT" screw fastening included in price, avible if the allow technical conditions of the device.
 Type of mount "EURO", "SMS", "MX" for front end loader included in the price, if the technical conditions of the device allow.
 Special mounting (not from the manufacturer's official fixing table).
 Mini charger surcharge, depending on the technical conditions (e.g. mounting width, height).
 Telescopic loaders surcharge, depending on the technical conditions (e.g. mounting width, height).
 Hydraulic lock required for wheeled and telescopic loaders without supporting the third hydraulic section - additional payment.
 Pressure limiter additional payment necessary for attachments other than those used in front loaders.

COMPLETE SET HAVE TWO DIFFERENT ARMS



SCHEME A



SCHEME B

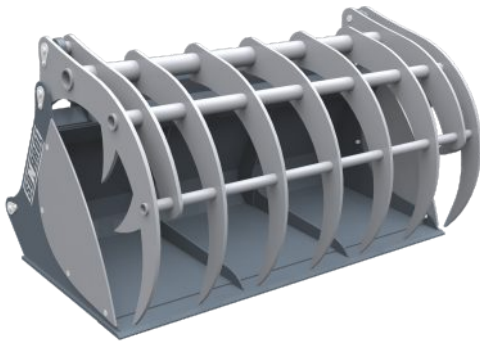


SET

EQUIPMENT FOR FRONT END LOADERS

BUCKET-CROCODILE TEMPERED TINES

ŁKZP



	Units	ŁKZP SNR1400	ŁKZP SNR1500	ŁKZP SNR1600	ŁKZP SNR1800	ŁKZP SNR2000	ŁKZP SNR2200	ŁKZP SNR2400
Width	mm	1400	1500	1600	1800	2000	2200	2400
High bone	mm	960	960	960	960	960	960	960
Open Height	mm	1500	1500	1500	1500	1500	1500	1500
Capacity	m ³	0,77	0,83	0,9	1,0	1,1	1,2	1,3
Device weight	kg	470	490	510	535	560	600	625
Capacity ¹	kg	930	1000	1080	1200	1320	1440	1560
Number of hydraulic cylinders	pcs.	2	2	2	2	2	2	2
Price ²	€							

¹ Lifting capacity given for agricultural products and loose materials 1m³-1200kg.

² Type of mount "EURO", "SMS", "MX" for front end loader included in the price, if the technical conditions of the device allow. Special mounting (not from the manufacturer's official fixing table).
Mini charger surcharge, depending on the technical conditions (e.g. mounting width, height).
Telescopic loaders surcharge, depending on the technical conditions (e.g. mounting width, height). Hydraulic lock required for wheeled and telescopic loaders without supporting the third hydraulic section - additional payment.
Factory-welded blade with holes.
Screw-on double beveled blade additional payment.

BUCKET-CROCODILE CLAMP

ŁK



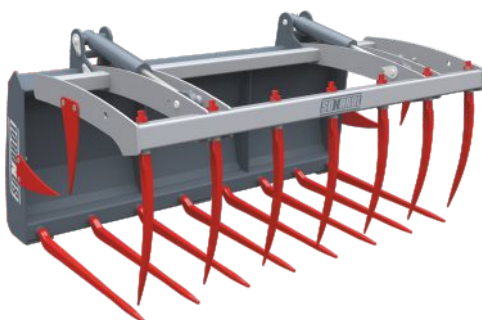
	Units	ŁK SNR900	ŁK SNR1000	ŁK SNR1250	ŁK SNR1500	ŁK SNR1800	ŁK SNR2100
Width	mm	900	1000	1250	1500	1800	2100
Height	mm	850	850	850	850	850	850
Open Height	mm	1350	1350	1350	1350	1350	1350
Capacity	m ³	0,6	0,67	0,83	1,0	1,2	1,4
Device weight	kg	200	220	260	300	340	385
Load Capacity ¹	kg	480	536	660	780	940	1100
Number of teeth	kg	4	5	5	6	7	8
Number of hydraulic cylinders	pcs.	2	2	2	2	2	2
Price ²	€						

¹ Lifting capacity given for manure 1m³ - 800kg.

² Type of mount "EURO", "SMS", "MX" for front end loader included in the price, if the technical conditions of the device allow. Special mounting (not from the manufacturer's official fixing table).
mounting width, height).
Mini charger surcharge, depending on the technical conditions (e.g. mounting width, height).
Telescopic loaders surcharge, depending on the technical conditions (e.g. mounting width, height).
Hydraulic lock necessary in transport devices without supporting the third hydraulic section - additional payment.
Pressure limiter additional payment necessary for attachments other than those used in front loaders.
Factory-welded blade with holes.
Screw-on double beveled blade additional payment.

CROCODILE CLAMP

CK



	Units	CK SNR900	CK SNR1000	CK SNR1250	CK SNR1500	CK SNR1800	CK SNR2100	CK SNR2400
Width	mm	900	1000	1250	1500	1800	2100	2400
Height	mm	850	850	850	850	850	850	850
Open Height	mm	1350	1350	1350	1350	1350	1350	1350
Capacity	m ³	0,57	0,63	0,79	0,95	1,13	1,32	1,51
Device weight	kg	180	195	225	250	300	350	420
Load Capacity ¹	kg	460	505	630	750	900	1050	1200
Number of teeth	pcs.	4+4	5+4	6+5	7+6	8+7	9+8	10+9
Number of hydraulic cylinders	pcs.	2	2	2	2	2	2	2
Price ²	€							

¹ Lifting capacity given for manure 1m³ - 800kg.

² Type of mount "EURO", "SMS", "MX" for front end loader included in the price, if the technical conditions of the device allow. Special mounting (not from the manufacturer's official fixing table).
mounting width, height).
Mini charger surcharge, depending on the technical conditions (e.g. mounting width, height).
Telescopic loaders surcharge, depending on the technical conditions (e.g. mounting width, height).
Hydraulic lock necessary in transport devices without supporting the third hydraulic section - additional payment.
Pressure limiter additional payment necessary for attachments other than those used in front loaders.

COMBI CUTTER

W



	Units	W SNR 1600
Width	mm	1600
Height	mm	850
Open Height	mm	1350
Bucket capacity	m ³	0,4
Device capacity	m ³	0,93
Device weight	kg	510+120
Number of teeth	pcs.	10+2
Number of hydraulic cylinders	pcs.	2
Set price¹	€	
Set without bucket price	€	

¹ Type of mount "EURO", "SMS", "MX" for front end loader included in the price, if the technical conditions of the device allow. Special mounting (not from the manufacturer's official fixing table). mounting width, height). Telescopic loaders surcharge, depending on the technical conditions (e.g. mounting width, height). Hydraulic lock required for wheeled and telescopic loaders without supporting the third hydraulic section - additional payment. ATTENTION: Front end loader with tool locking outside handle - reduction frame may be needed.

3in1

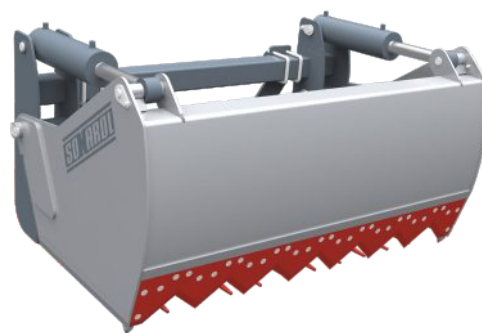
- silage cutter
- bale shearer with the functionality for holding the cut film or mesh
- bucket for bulk materials

CUTTER FOR SILAGE

WK

	Units	WK SNR 1400	WK SNR 1600	WK SNR 2000
Width	mm	1400	1600	2000
Height	mm	850	850	850
Open Height	mm	950	950	950
Capacity	m ³	0,88	1,00	1,26
Device weight	kg	470	520	660
Number of teeth	pcs.	8+2	10+2	12+4
Number of hydraulic cylinders	pcs.	2	2	3
Price¹	€			

¹ Type of mount "EURO", "SMS", "MX" for front end loader included in the price, if the technical conditions of the device allow. Special mounting (not from the manufacturer's official fixing table). mounting width, height). Telescopic loaders surcharge, depending on the technical conditions (e.g. mounting width, height). Hydraulic lock required for wheeled and telescopic loaders without supporting the third hydraulic section - additional payment.



BALE CUTTER "SHARK"

RB

	Units	RB SNR 1600
Width	mm	1600
Close Height	mm	730
Open Height	mm	1570
Długość	mm	1150
Open Width	mm	1250
Device weight	kg	400
Number of teeth	pcs.	5
Number of hydraulic cylinders	pcs.	2
Price¹	€	

Type of mount "EURO", "SMS", "MX" for front end loader included in the price, if the technical conditions of the device allow. Special mount (not included in the manufacturer's official table of mounts). Skidsteer loader surcharge, available if the technical conditions of the device allow (e.g. mounting width, height). Telescopic loaders surcharge, available if the technical conditions of the device allow (e.g. mounting width, height). Hydraulic lock - additional payment required for wheel loaders and telescopic machines without supporting the third hydraulic section.

UNIVERSAL BUCKET

£U



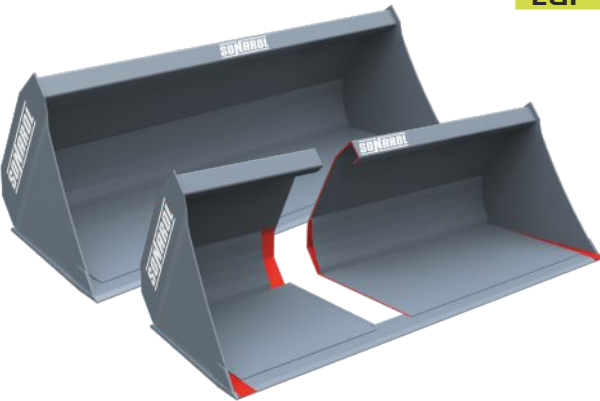
	Units	£U SNR1000	£U SNR1200	£U SNR1500	£U SNR1800	£U SNR2000	£U SNR2200	£U SNR2400
Width	mm	1000	1200	1500	1800	2000	2200	2400
Height	mm	650	650	650	650	650	650	650
Depth	mm	750	750	750	750	750	750	750
Capacity	m ³	0,32	0,40	0,50	0,58	0,64	0,70	0,76
Device weight	kg	108	120	155	182	195	225	245
Load Capacity ¹	kg	550	660	825	960	1060	1160	1260
Price ²	€							

¹ Lifting capacity given for wet sand 1m³-1650kg.

² Type of mount "EURO", "SMS", "MX" for front end loader included in the price, if the technical conditions of the device allow. Special mounting (not from the manufacturer's official fixing table).
Mini charger surcharge, depending on the technical conditions (e.g. mounting width, height).
Telescopic loaders surcharge, depending on the technical conditions (e.g. mounting width, height).
Blade with holes for screw-on blade, additional surcharge.
Screw-on double beveled blade additional payment.

UNIVERSAL BUCKET WITHOUT INTERNAL "RIBS"

£UP



	Units	£UP SNR 1000	£UP SNR 1100	£UP SNR 1200	£UP SNR 1300	£UP SNR 1400	£UP SNR 1500	£UP SNR 1800	£UP SNR 2000	£UP SNR 2200	£UP SNR 2400
Width	mm	1000	1100	1200	1300	1400	1500	1800	2000	2200	2400
Height	mm	800	800	800	800	800	800	800	800	800	800
Depth	mm	920	920	920	920	920	920	920	920	920	920
Capacity	m ³	0,43	0,47	0,52	0,56	0,60	0,65	0,77	0,86	0,95	1,05
Device weight	kg	180	190	205	215	225	240	275	300	330	360
Load Capacity ¹	kg	710	780	860	925	990	1080	1270	1420	1570	1730
Price ²	€										

¹ Lifting capacity given for wet sand 1m³-1650kg.

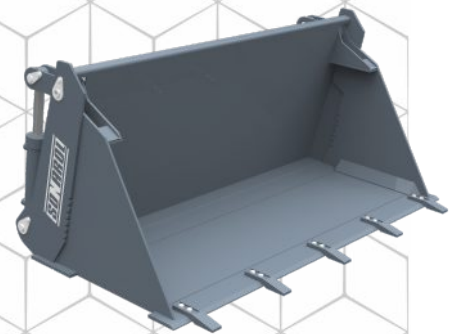
² Type of mount "EURO", "SMS", "MX" for front end loader included in the price, if the technical conditions of the device allow. Special mounting (not from the manufacturer's official fixing table).
Mini charger surcharge, depending on the technical conditions (e.g. mounting width, height).
Telescopic loaders surcharge, depending on the technical conditions (e.g. mounting width, height).
Factory-welded blade with holes.
Screw-on double beveled blade additional payment.

4 IN 1 MULTI-PUPOSE BUCKET

£W 4w1

	Units	£W 4w1 SNR1650	£W 4w1 SNR1850	£W 4w1 SNR2050	£W 4w1 SNR2250	£W 4w1 SNR2450
Width	mm	1650	1850	2050	2250	2450
Height	mm	800	800	800	800	800
Depth	mm	740	740	740	740	740
Capacity	m ³	0,44	0,5	0,56	0,62	0,68
Load Capacity	kg	730	830	930	1030	1120
Device weight	kg	302	321	341	361	381
Number of hydraulic cylinders	pcs.	2	2	2	2	2
Price ¹	€					

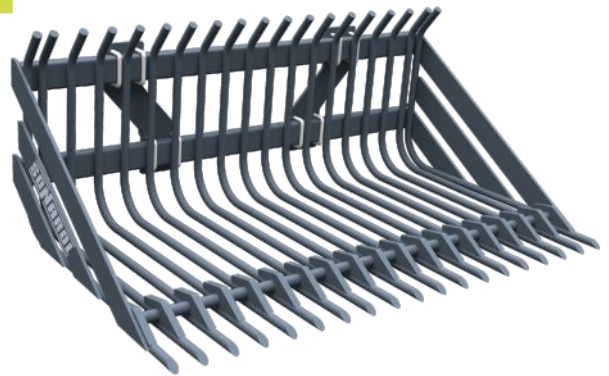
¹ Type of mount "EURO", "SMS", "MX" for front end loader included in the price, if the technical conditions of the device allow. Special mounting (not from the manufacturer's official fixing table).
Mini charger surcharge, depending on the technical conditions (e.g. mounting width, height).
Telescopic loaders surcharge, depending on the technical conditions (e.g. mounting width, height).
MX mouths surcharge, Fauchaux surcharge, if the allow technical conditions of the device.
Hydraulic lock required for wheeled and telescopic loaders without supporting the third hydraulic section - additional payment.
Pressure limiter additional payment necessary for attachments other than those used in front loaders.



OPENWORK BUCKET

ŁA

	Units	ŁA SNR1800	ŁA SNR2000	ŁA SNR2200	ŁA SNR2400
Width	mm	1800	2000	2200	2400
Height	mm	795	795	795	795
Depth	mm	1080	1080	1080	1080
Capacity	m ³	1,10	1,20	1,35	1,45
Device weight	kg	285	315	345	375
Price ¹	€				



¹ Type of mount "EURO", "SMS", "MX" for front end loader included in the price, if the technical conditions of the device allow.
Special mounting (not from the manufacturer's official fixing table).
Mini charger surcharge, depending on the technical conditions (e.g. mounting width, height).
Telescopic loaders surcharge, depending on the technical conditions (e.g. mounting width, height).

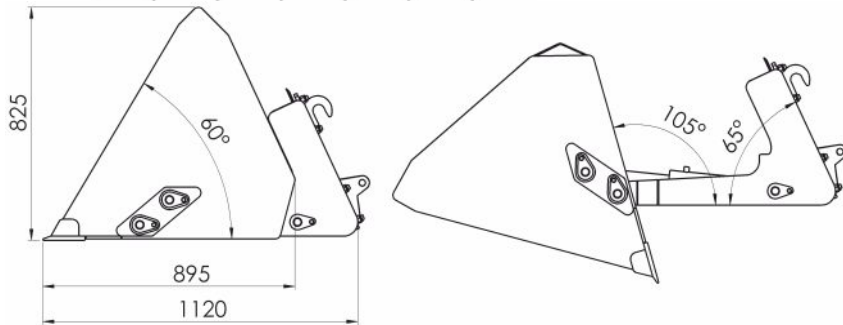
THE HIGH TIP BUCKET

ŁWW

	Units	ŁWW SNR1400	ŁWW SNR1600	ŁWW SNR1800	ŁWW SNR2000	ŁWW SNR2200	ŁWW SNR2400
Width	mm	1400	1600	1800	2000	2200	2400
Capacity	m ³	0,54	0,62	0,70	0,78	0,86	0,94
Load Capacity	kg	640	745	840	930	1000	1100
Device weight	kg	345	370	395	420	445	470
Price ²	€						



¹ Type of mount "EURO", "SMS", "MX" for front end loader included in the price, if the technical conditions of the device allow.
Special mounting (not from the manufacturer's official fixing table).
Mini charger surcharge, depending on the technical conditions (e.g. mounting width, height).
Telescopic loaders surcharge, depending on the technical conditions (e.g. mounting width, height).
Hydraulic lock required for wheeled and telescopic loaders without supporting the third hydraulic section - additional payment.
Pressure limiter additional payment necessary for attachments other than those used in front loaders.
Screw fixing for quick assembly.



BUCKET WITH THE BRUSH

ŁS

	Units	ŁS SNR1400	ŁS SNR1600	ŁS SNR1800	ŁS SNR2000	ŁS SNR2200	ŁS SNR2400
Brush width [A]	mm	1400	1600	1800	2000	2200	2400
Overall width [B]	mm	1760	1960	2160	2360	2560	2760
Depth [C]	mm	1400	1400	1400	1400	1400	1400
Height [D]	mm	765	765	765	765	765	765
Bucket capacity	m ³	0,35	0,4	0,45	0,5	0,55	0,6
Device weight	kg	330	350	370	390	410	430
Brush diameter [ØE]	mm	600	600	600	600	600	600
Price ¹	€						



¹ Type of mount "EURO", "SMS", "MX" for front end loader included in the price, if the technical conditions of the device allow.
Special mounting (not from the manufacturer's official fixing table).
Mini charger surcharge, depending on the technical conditions (e.g. mounting width, height).
Telescopic loaders surcharge, depending on the technical conditions (e.g. mounting width, height).

FORK FOR PALLETS

WP

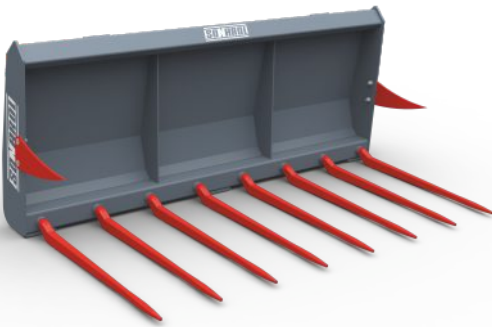


	Units	WP SNR 1200/...	WPrt SNR 1200/...
Width	mm	1200	1200
Height	mm	850	850
Depth	mm	1350	1350
Load Capacity	kg	1600	1600
Device weight	kg	160	165
Ilość tulei	pcs.	brak	2
Price¹	€		

- ¹ Type of mount "EURO", "SMS", "MX" for front end loader included in the price, if the technical conditions of the device allow.
Special mounting (not from the manufacturer's official fixing table).
Mini charger surcharge, depending on the technical conditions (e.g. mounting width, height).
Teeth.
Pallet frame without forks.
Protection frame.

MANURE FORK

WO



	Units	WO SNR1250	WO SNR1500	WO SNR1800	WO SNR2100
Width	mm	1250	1500	1800	2100
Height	mm	710	710	710	710
Capacity	m ³	0,68	0,82	1	1015
Load Capacity ¹	kg	550	660	800	930
Device weight	kg	115	130	150	170
Number of teeth	pcs.	6	7	8	9
Price²	€				

- ¹ Load capacity given for manure 1m³ - 800kg.
² Type of mount "EURO", "SMS", "MX" for front end loader included in the price, if the technical conditions of the device allow.
Special mounting (not from the manufacturer's official fixing table).
Mini charger surcharge, depending on the technical conditions (e.g. mounting width, height).
Telescopic loaders surcharge, depending on the technical conditions (e.g. mounting width, height).

FODING FORKS

WSB



	Units	WSB
Height	mm	2100
Width	mm	2000
Depth - unfolded	mm	1300
Depth - folded	mm	680
Mass	kg	260
Price¹	PLN	

- ¹ Type of mount "EURO", "SMS", "MX" for front end loader included in the price, if the technical conditions of the device allow.
Special mount (not included in the manufacturer's official table of mounts).
Skidsteer loader surcharge, available if the technical conditions of the device allow (e.g. mounting width, height).
Telescopic loaders surcharge, available if the technical conditions of the device allow (e.g. mounting width, height).





LIGHT CARGO BOX

SLL

	Units	SLL SNR1600	SLL SNR1800	SLL SNR2000
Width	mm	1600	1800	2000
Capacity	m ³	0,90	1,00	1,10
Load Capacity	kg	560	560	560
Device weight	kg	345	360	375
Number of hydraulic cylinders	mm	1	1	1
Price ¹	€			

¹ "EURO/TUZ cat.2" mounting as standard.



HEAVY CARGO BOX

SLC

	Units	SŁC SNR1600	SŁC SNR1800	SŁC SNR2000	SŁC SNR2200	SŁC SNR2400
Width	mm	1600	1800	2000	2200	2400
Capacity	m ³	1,00	1,10	1,25	1,35	1,45
Load Capacity	kg	1500	1500	1500	1500	1500
Device weight	kg	480	500	520	540	560
Number of hydraulic cylinders	mm	2	2	2	2	2
Price ¹	€					

¹ "EURO/TUZ cat.2" mounting as standard.



BALLAST

OBC

FOR SELF-FILLING WITH CONCRETE

	Units	OBC 200	OBC 300	OBC 600	OBC 800	OBC 1000	OBC 1200
Width	mm	410	545	856	886	896	906
Depth	mm	350	490	605	706	861	982
Height	mm	370	400	546	596	596	596
High total	mm	585	585	786	876	883	883
Construction weight	kg	38	45	74	90	108	118
Mass with concrete	kg	200	300	600	800	1000	1200
Three-point category		2	2	2	3N	3N	3N
Price ¹	€						

¹ Mounting included 3-point, lack of mounting balls - "ball hooks", ordered separately. Special mounting (not from the manufacturer's fixing table).

BIG-BAG LIFTER

PB

	Units	PB SNR1000
Load Capacity	kg	1000
Device weight	kg	110
Price ¹	€	

¹ EURO mounting and SMS included in the price, available if the allow technical conditions of the device.
Special mounting (not from the manufacturer's official fixing table).
MX mouths surcharge, Fauchoux surcharge, if the allow technical conditions of the device.
Mini charger surcharge, depending on the technical conditions (e.g. mounting width, height).
Telescopic loaders surcharge, depending on the technical conditions (e.g. mounting width, height).





SILAGE SPREADER

RDP

	Units	RDP
Folded height	mm	1750
Unfolded height	mm	1450
Width unfolded (maximum)	mm	4600
Folded width (minimum)	mm	3000
Length	mm	2750
Mass	kg	1200
Price ¹	€	

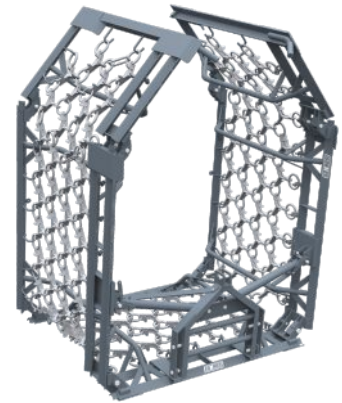
¹ Rotation reversing gear - price.
Drive shaft PTO 900Nm kk1210 (1500).
Three-point linkage mounting as standard.
Controlling the device with a remote control powered by any 12V electric socket in the tractor cabin.
Connection via one hydraulic section.

MEADOW FIELD DRAG

APW

	Units	APW SNR4000	APW SNR4000	APW SNR5000	APW SNR6000	APW SNR8000
Width	mm	4000	4000	5000	6000	8000
Numbers of rows	pcs.	4	4	4	4	4
Type of unfolding		byhands	hydraulic	hydraulic	hydraulic	hydraulic
Device weight	kg	540	560	622	735	910
Price ¹	€					

¹ Mounting included 3-point, lack of mounting balls - "ball hooks", ordered separately
Special mounting (not from the manufacturer's fixing table).



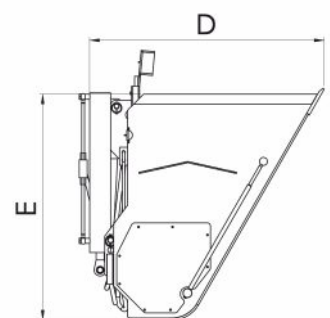
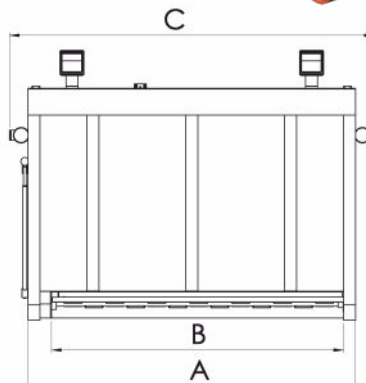
THE SELF-LOADING SAND SPREADER

NOVELTY

PSA

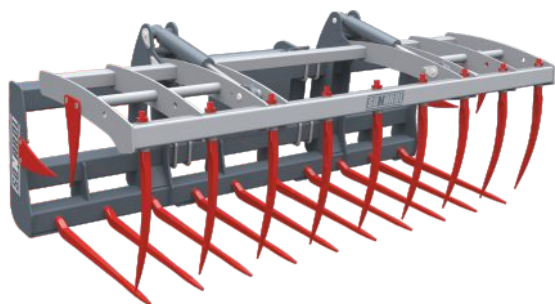
	Units	PSA SNR1200	PSA SNR1400	PSA SNR1600	PSA SNR2000
Case width [A]	mm	1200	1400	1600	2000
Spreading width [B]	mm	1060	1260	1460	1860
total width [C]	mm	1500	1700	1820	2220
Lenght [D]	mm	1200	1200	1200	1200
Height [E]	mm	1200	1200	1200	1200
Bucket capacity	m ³	0,7	0,8	0,9	1,1
Device weight	kg	430	460	490	550
Price ¹	€				

¹ Mounting included 3-point system.
Special mounting (not from the manufacturer's fixing table).



CROCODILE CLAMP

CKŁ



	Units	CKŁ SNR1800	CKŁ SNR2100	CKŁ SNR2400
Width	mm	1800	2100	2400
Height	mm	870	870	870
Open Height	mm	1370	1370	1370
Capacity	m ³	1,2	1,4	1,56
Load Capacity ¹	kg	940	1100	1250
Device weight	kg	350	380	425
Number of teeth	pcs.	8+7	9+8	10+9
Number of hydraulic cylinders	pcs.	2	2	2
Price ²	€			

¹ Lifting capacity for agricultural crops and loose materials max 1200 kg - 1m³.

² Screw fixing for quick assembly included in price, available if the allow technical conditions of the device. Special mounting (not from the manufacturer's official fixing table). Hydraulic lock required for wheeled and telescopic loaders without supporting the third hydraulic section - additional payment.

BUCKET-CROCODILE CLAMP

ŁKŁ



	Units	ŁKŁ SNR1800	ŁKŁ SNR2100	ŁKŁ SNR2400
Width	mm	1800	2100	2400
Height	mm	850	850	850
Open Height	mm	1350	1350	1350
Device weight	kg	400	450	510
Number of teeth	pcs.	7	8	9
Number of hydraulic cylinders	pcs.	2	2	2
Price ²	€			

¹ Lifting capacity for agricultural crops and loose materials max 1200 kg - 1m³.

² Mounting included in the price, available if the allow technical conditions of the device. Special mounting (not from the manufacturer's official fixing table). Hydraulic lock required for wheeled and telescopic loaders without supporting the third hydraulic section - additional payment. Factory-welded blade with holes. Screw-on double beveled blade additional payment.

BUCKET-CROCODILE CLAMP TEMPERED TINES

ŁKPŁ



	Units	ŁKPŁ SNR1800	ŁKPŁ SNR2000	ŁKPŁ SNR2200	ŁKPŁ SNR2400
Width	mm	1800	2000	2200	2400
Height	mm	960	960	960	960
Open Height	mm	1500	1500	1500	1500
Capacity	m ³	1,0	1,1	1,2	1,3
Device weight	kg	540	610	650	690
Load Capacity ¹	kg	1200	1320	1440	1560
Number of hydraulic cylinders	pcs.	2	2	2	2
Price ²	€				

¹ Lifting capacity for agricultural crops and loose materials max 1200 kg - 1m³.

² Mounting included in the price, available if the allow technical conditions of the device. Special mounting (not from the manufacturer's official fixing table). Hydraulic lock required for wheeled and telescopic loaders without supporting the third hydraulic section - additional payment. Factory-welded blade with holes. Screw-on double beveled blade additional payment. Upper standard jaw - 3 reinforcing pipes. Upper jaw 2 reinforcing pipes - optional on request.

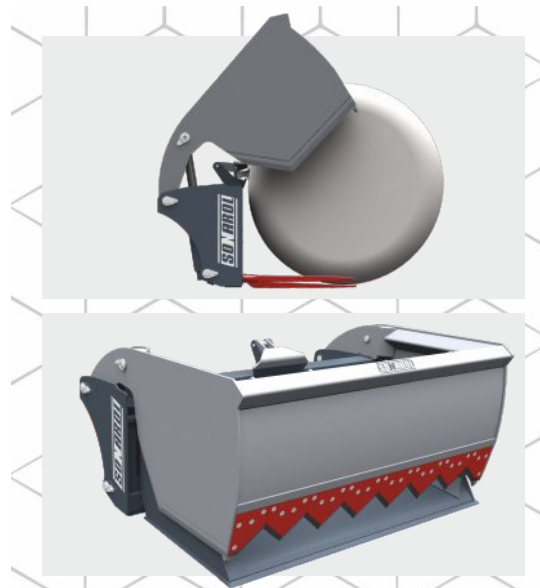
COMBI CUTTER

W



3in1

- silage cutter
- bale shearer with the functionality for holding the cut film or mesh
- bucket for bulk materials



	Units	W SNR 1600
Width	mm	1600
Height	mm	850
Open Height	mm	1350
Bucket capacity	m ³	0,4
Device capacity	m ³	0,93
Device weight	kg	510+120
Number of teeth	pcs.	10+2
Number of hydraulic cylinders	pcs.	2
Set price¹	€	
Set without bucket price	€	

¹ Waga urządzenia w zależności od zastosowanego mocowania może się różnić.

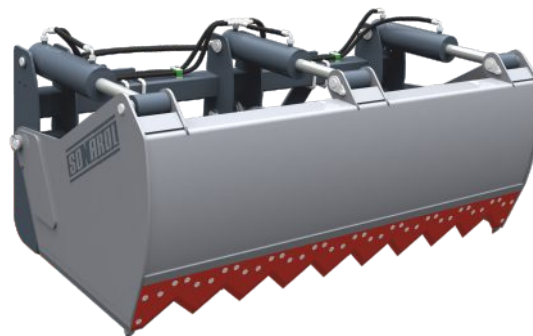
² Mounting included in the price, available if the allow technical conditions of the device.
Special mounting (not from the manufacturer's official fixing table).
Hydraulic lock required for wheeled and telescopic loaders without supporting the third hydraulic section - additional payment.
ATTENTION: Some telehandlers models require a reduction frame - ask your supplier.

CUTTER FOR SILAGE

WK

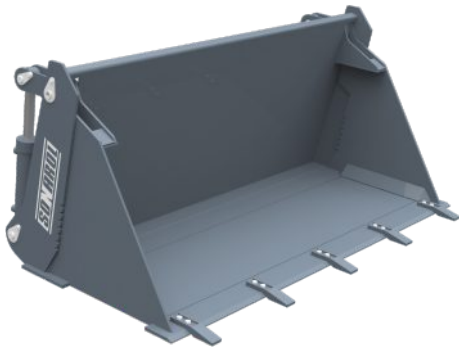
	Units	WK SNR1400	WK SNR1600	WK SNR2000
Width	mm	1400	1600	2000
Height	mm	850	850	850
Open Height	mm	950	950	950
Capacity	m ³	0,88	1,00	1,26
Device weight	kg	470	520	660
Number of teeth	pcs.	8+2	10+2	12+4
Number of hydraulic cylinders	pcs.	2	2	3
Price¹	€			

¹ Important: All type of telescopic loader or mini loader or sceedsterincluded in the price if the allow technical condition of the device.
Special mounting (not from the manufacturer's official fixing table).
Hydraulic lock required for wheeled and telescopic loaders without supporting the third hydraulic section - additional payment.



4 IN 1 MULTI-PURPOSE BUCKET

ŁWŁ 4in1



	Units	ŁWŁ 4w1 SNR1850	ŁWŁ 4w1 SNR2050	ŁWŁ 4w1 SNR2250	ŁWŁ 4w1 SNR2450
Width	mm	1850	2050	2250	2450
Height	mm	800	800	800	800
Depth	mm	740	740	740	740
Capacity	m ³	0,5	0,56	0,62	0,65
Load Capacity	kg	830	930	1030	1120
Device weight	kg	321	341	361	381
Number of hydraulic cylinders	pcs.	2	2	2	2
Price ¹	€				

¹ Mounting included in the price, available if the allow technical conditions of the device. Special mounting (not from the manufacturer's official fixing table). Hydraulic lock required for wheeled and telescopic loaders without supporting the third hydraulic section - additional payment. Pressure limiter additional required.

HIGH-VOLUME BUCKET

ŁO



	Units	ŁO SNR2000	ŁO SNR2200	ŁO SNR2400	ŁO SNR2600	ŁO SNR2800	ŁO SNR3000
Width	mm	2000	2200	2400	2600	2800	3000
Height	mm	1075	1075	1075	1075	1075	1075
Depth	mm	1180	1180	1180	1180	1180	1180
Capacity	m ³	1,60	1,75	1,90	2,05	2,20	2,35
Load Capacity	kg	1440	1550	1700	1850	2000	2100
Device weight	kg	617	634	658	692	756	784
Price ¹	€						

¹ Mounting included in the price, available if the allow technical conditions of the device. Special mounting (not from the manufacturer's official fixing table). Screw-on double beveled blade additional payment.

FORK FOR PALLETS

WPŁ



	Units	WPŁ SNR 3500/...
Width	mm	1300
Height	mm	1180
Depth	mm	1350
Load Capacity	kg	3500
Device weight	kg	280
Price ¹	€	

¹ Mounting included in the price, available if the allow technical conditions of the device. Special mounting (not from the manufacturer's official fixing table).

BALE CLAMP

CBŁ



	Units	CBŁ SNR1700
Width	mm	1700
Load Capacity	kg	900
Device weight	kg	215
Price ¹	€	

¹ Mounting included in the price, available if the allow technical conditions of the device. Special mounting (not from the manufacturer's official fixing table). Hydraulic lock required for wheeled and telescopic loaders without supporting the third hydraulic section - additional payment. Pressure limiter required.

UNIVERSAL BUCKET

£UM

	Units	£UM SNR900	£UM SNR1000	£UM SNR1100	£UM SNR1200	£UM SNR1300	£UM SNR1400
Width	mm	900	1000	1100	1200	1300	1400
Height	mm	525	525	525	525	525	525
Depth	mm	620	620	620	620	620	620
Capacity	m ³	0,161	0,180	0,198	0,217	0,235	0,254
Device weight	kg	64	69	74	78	83	88
Price ¹	€						

¹ Mounting included in the price, available if the allow technical conditions of the device. Special mounting (not from the manufacturer's official fixing table). Blade with holes for screw-on blade, additional surcharge. Screw-on double beveled blade additional payment.

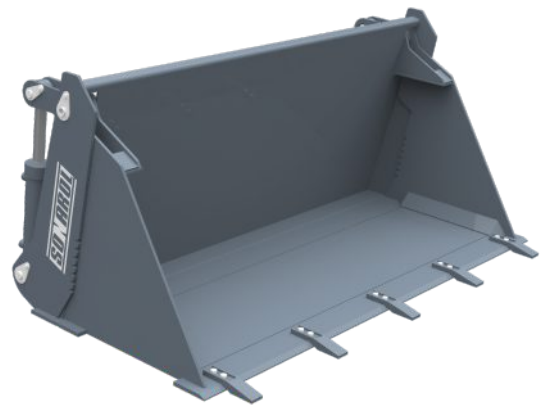


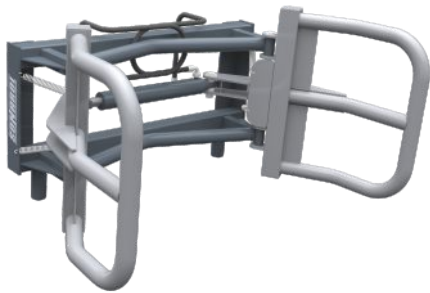
4 IN 1 MULTI-PURPOSE BUCKET

£WM 4w1

	Units	£WM4w1 SNR1150	£WM4w1 SNR1250	£WM4w1 SNR1350	£WM4w1 SNR1450
Width	mm	1150	1250	1350	1450
Height	mm	800	800	800	800
Depth	mm	740	740	740	740
Capacity	m ³	0,23	0,29	0,35	0,38
Load Capacity	kg	480	530	580	630
Device weight	kg	249	260	271	282
Number of hydraulic cylinders	pcs.	2	2	2	2
Price ¹	€				

¹ Mounting included in the price, available if the allow technical conditions of the device. Special mounting (not from the manufacturer's official fixing table). Hydraulic lock required for wheeled and telescopic loaders without supporting the third hydraulic section - additional payment. Pressure limiter required.



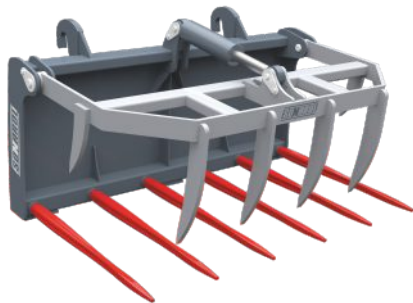


BALE CLAMP

CBEM

	Units	BALE CLAMP CBEM SNR1500
Width	mm	1550
Load Capacity	kg	700
Device weight	kg	140
Price ¹	€	

- ¹ Mounting included in the price, available if the allow technical conditions of the device. Special mounting (not from the manufacturer's official fixing table). Euro/SMS/MX mouths surcharge, Fauchaux surcharge, if the allow technical conditions of the device. Hydraulic lock required for wheeled and telescopic loaders without supporting the third hydraulic section - additional payment. Pressure limiter additional payment necessary for attachments other than those used in front loaders. Cannot be used on wheeled and telescopic loadres with a lifting capacity over 1200 kg.

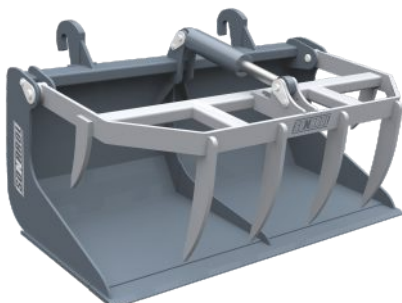


CROCODILE CLAMP

CKM

	Units	CKM SNR900	CKM SNR1000	CKM SNR1100	CKM SNR1200	CKM SNR1300	CKM SNR1400
Width	mm	900	1000	1100	1200	1300	1400
Height	mm	630	630	630	630	630	630
Open Height	mm	800	800	800	800	800	800
Capacity	m ³	0,36	0,4	0,44	0,48	0,52	0,56
Load Capacity	kg	290	320	355	390	420	435
Device weight	kg	120	125	135	140	150	165
Number of teeth	pcs.	5	5	6	6	7	7
Number of hydraulic cylinders	pcs.	1	1	1	1	1	1
Price ¹	€						

- ¹ Mounting included in the price, available if the allow technical conditions of the device. Special mounting (not from the manufacturer's official fixing table). Hydraulic lock required for wheeled and telescopic loaders without supporting the third hydraulic section - additional payment. Pressure limiter additional required. Blade with holes for screw-on blade, additional surcharge. Screw-on double beveled blade additional payment.



BUCKET-CROCODILE CLAMP

ŁKM

	Units	ŁKM SNR900	ŁKM SNR1000	ŁKM SNR1100	ŁKM SNR1200	ŁKM SNR1300	ŁKM SNR1400
Width	mm	900	1000	1100	1200	1300	1400
Height	mm	600	600	600	600	600	600
Open Height	mm	770	770	770	770	770	770
Capacity	m ³	0,36	0,4	0,44	0,48	0,52	0,56
Load Capacity ¹	kg	290	320	320	370	390	390
Device weight	kg	130	135	145	150	157	165
Number of hydraulic cylinders	pcs.	1	1	1	1	1	1
Price ²	€						

- ¹ Udźwig podany dla obornika 1m³ - 800kg.
- ² Mounting included in the price, available if the allow technical conditions of the device. Special mounting (not from the manufacturer's official fixing table). Hydraulic lock required for wheeled and telescopic loaders without supporting the third hydraulic section - additional payment. Pressure limiter additional required. Blade with holes for screw-on blade, additional surcharge. Screw-on double beveled blade additional payment.



LP	TYPE	PRICE
1.	ATLAS 14 - EURO	
2.	AVANT - EURO	
3.	BOBCAT (NA RURZE) - BOBCAT (NA RURZE)	
4.	BOBCAT (NA RURZE) - EURO/SMS/MX	
5.	BOBCAT (NA RURZE) - TUZ KAT.3	
6.	BOBCAT MAŁY (BLASZANY) - EURO/SMS/MX	
7.	CAT TH407C - EURO/SMS/MX	
8.	CAT TH407C - MANITOU	
9.	CLASS SCORPION - EURO/SMS/MX	
10.	CLASS SCORPION - MANITOU	
11.	CLASS SCORPION - MERLO ZM2	
12.	CLASS TARGO K50 - EURO	
13.	CLASS TORION 535 - EURO	
14.	DEUTZ FAHR - EURO/MX	
15.	DIECI AGRI FARMER - EURO/SMS/MX	
16.	DIECI AGRI FARMER - MANITOU	
17.	DIECI MINI AGRI 25.6 - EURO/SMS/MX	
18.	EURO - DEUTZ FAHR	
19.	EURO - DIECI MINI AGRI FARM 25.6	
20.	EURO - EURO/SMS	
21.	EURO - SMS	
22.	EURO - GIANT MAŁY	
23.	EURO - MANITOU	
24.	EURO - MX	
25.	EURO - MERLO ZM2	
26.	EURO - PICHON P126	
27.	EURO - TRÓJKĄT	
28.	EURO - TUZ. KAT.2	
29.	FAUCHEUX - EURO	
30.	GIANT - EURO	
31.	HERCULES/EVERUN DUŻY - EURO	
32.	HERCULES/EVERUN MAŁY - EURO	
33.	JCB 520 - EURO/SMS	
34.	JCB 520 - MX	
35.	JCB 526 - EURO/SMS	
36.	JCB 526 - MX	
37.	JCB Q-FIT - TUZ KAT.2	
38.	JCB Q-FIT - TUZ KAT.3N	
39.	JCB Q-FIT - EURO/SMS	
40.	JCB Q-FIT - EURO/JCB Q-FIT	
41.	JCB Q-FIT - MERLO ZM2	
42.	JCB Q-FIT - MX	
43.	JCB Q-FIT - DEUTZ FAHR	
44.	JCB Q-FIT - MANITOU	
45.	JOHN DEERE - EURO/SMS	
46.	JOHN DEERE - JCB Q-FIT	

LP	TYPE	PRICE
47.	KRAMER DUŻY - EURO	
48.	LIEBHERR 506 - EURO	
49.	MX - EURO/SMS	
50.	MX - MANITOU	
51.	MX - SMS	
52.	MANITOU - BOBCAT (NA RURZE)	
53.	MANITOU - EURO/SMS	
54.	MANITOU - JCB Q-FIT	
55.	MANITOU - MX	
56.	MANITOU - DEUTZ FAHR	
57.	MANITOU - MERLO ZM2	
58.	MANITOU - TUZ KAT.2	
59.	MANITOU - TUZ KAT.3N	
60.	MERLO ZM2 - EURO/SMS	
61.	MERLO ZM2 - MANITOU	
62.	MERLO ZM2 - TUZ KAT.2	
63.	MERLO ZM2 - MX	
64.	MERLO ZM3 - EURO	
65.	MUSTANG - EURO	
66.	MUSTANG hydraulic - EURO	
67.	NEW HOLLAND - EURO/SMS	
68.	NEW HOLLAND - MX	
69.	NEW HOLLAND - TUZ KAT.2	
70.	NEW HOLLAND KOPARKO ŁADOWARKA - B5115B EURO	
71.	PAUS - EURO	
72.	PICHON126 - EURO/SMS	
73.	PICHON126 - MX	
74.	SHAFFER (KWADRATOWY PRĘT RAMKI) - EURO/SMS/MX	
75.	SCHAFFER KLASA DYNAMICZNA - EURO/SMS/MX	
76.	SCHAFFER KLASA DYNAMICZNA - NEW HOLLAND	
77.	SCHAFFER KLASA KOMPAKT - EURO/SMS/MX	
78.	SMS - EURO/MX	
79.	SMS - MANITOU	
80.	STRIEGEL - EURO/SMS	
81.	TAKMANN 916 - EURO	
82.	TEREX 730 - EURO	
83.	TEREX 730 - MANITOU	
84.	TEREX TL80-120 - EURO	
85.	TUZ (front linkeige) - EURO	
86.	TUZ (front linkeige) - MAILLEUX	
87.	TUZ kat.2 (front linkeige) - MERLO ZM 2	
88.	TUZ kat.2 (front linkeige) - NEW HOLLAND	
89.	VOLVO BM - EURO/SMS	
90.	VOLVO L30B Z-X - EURO/SMS	
91.	WEIDEMANN - EURO/SMS	
92.	ZETTELMEYER ZL502 - EURO	



SONAROL

SONAROL Sp.j. Najda
ul. Polna 27, 18-420 Jedwabne,
Tel./Fax +48 86 217 22 11
www.sonarol.pl